

CALENDAR ITEM
C65

MINUTE ITEM
This Calendar Item No. C64
was approved as Minute Item
No. 64 by the State Lands
Commission by a vote of 3
to 0 at its 7/6/95
meeting
PRC 5751 WP 5751
Young
07/06/95

A 4
S 1

RECREATIONAL PIER LEASE

APPLICANT:

Edwin E. Wright and Judith A. Wright
2000 Victorine Road
Livermore, California 94550

LOCATION:

Submerged land in Lake Tahoe, Placer County.

EXHIBIT:

A. Site and Location Map

AB 884:

N/A

RECOMMENDED ACTION:

IT IS RECOMMENDED THAT THE COMMISSION:

CEQA FINDING:

(Pier & Buoys)
FIND THAT THE ACTIVITY IS EXEMPT FROM THE REQUIREMENTS OF
THE CEQA PURSUANT TO 14 CAL. CODE REGS. 15061 AS A
CATEGORICALLY EXEMPT PROJECT, CLASS 1, EXISTING FACILITIES,
2 CAL. CODE REGS. 2905 (a)(2).

SIGNIFICANT LANDS

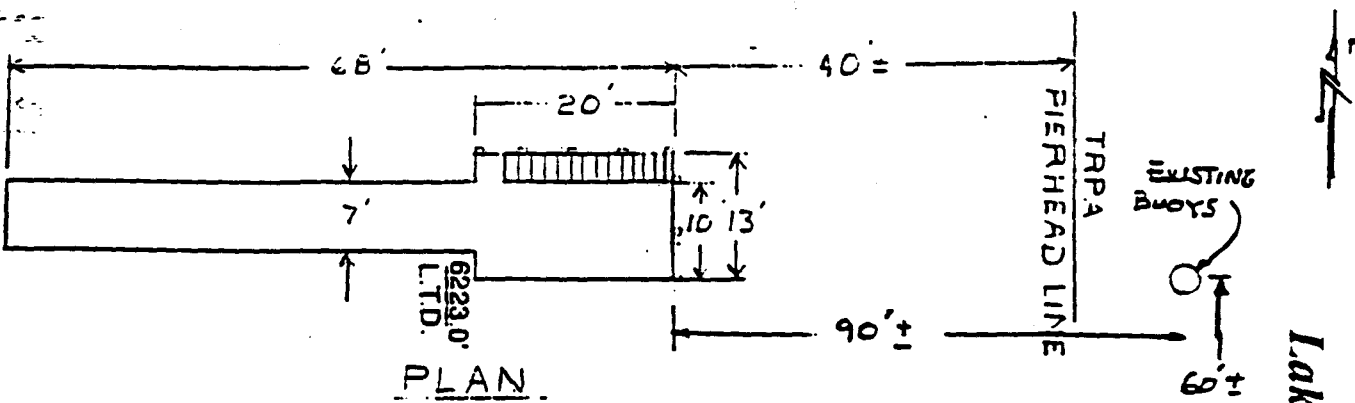
INVENTORY FINDING:

FIND THAT THIS ACTIVITY IS CONSISTENT WITH THE USE
CLASSIFICATION DESIGNATED FOR THE LAND PURSUANT TO P.R.C.
6370, ET SEQ.

AUTHORIZATION:

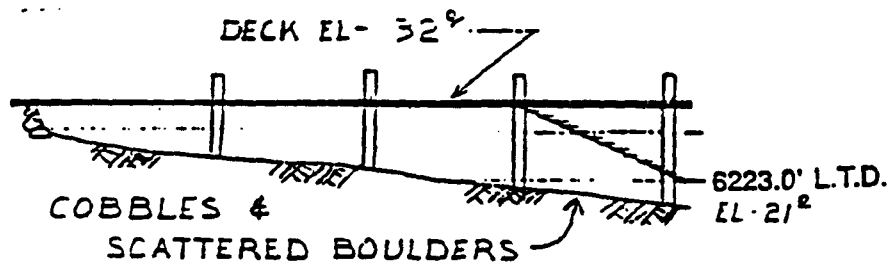
AUTHORIZE ISSUANCE TO EDWIN E. AND JUDITH A. WRIGHT OF A
TEN-YEAR RECREATIONAL PIER LEASE ON FILE IN THE COMMISSION'S
OFFICE FOR ALL THE STATE'S SOVEREIGN LANDS BELOW THE
ELEVATION OF 6223 LTD UNDER APPLICANT'S PIER AND TWO MOORING
BUOYS AS DEPICTED ON EXHIBIT "A" ATTACHED AND BY REFERENCE
MADE A PART HEREOF, BEGINNING APRIL 26, 1994; NO MONETARY
CONSIDERATION PURSUANT TO SECTION 6503.5 OF THE P.R.C.

CALENDAR PAGE	531
MINUTE PAGE	1445



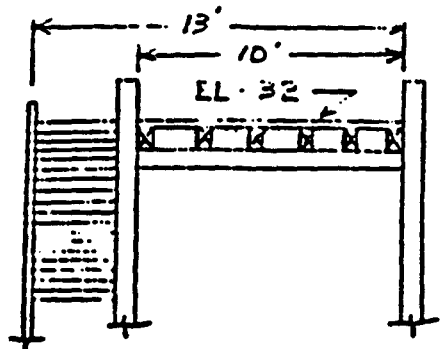
PLAN

Lake Tahoe



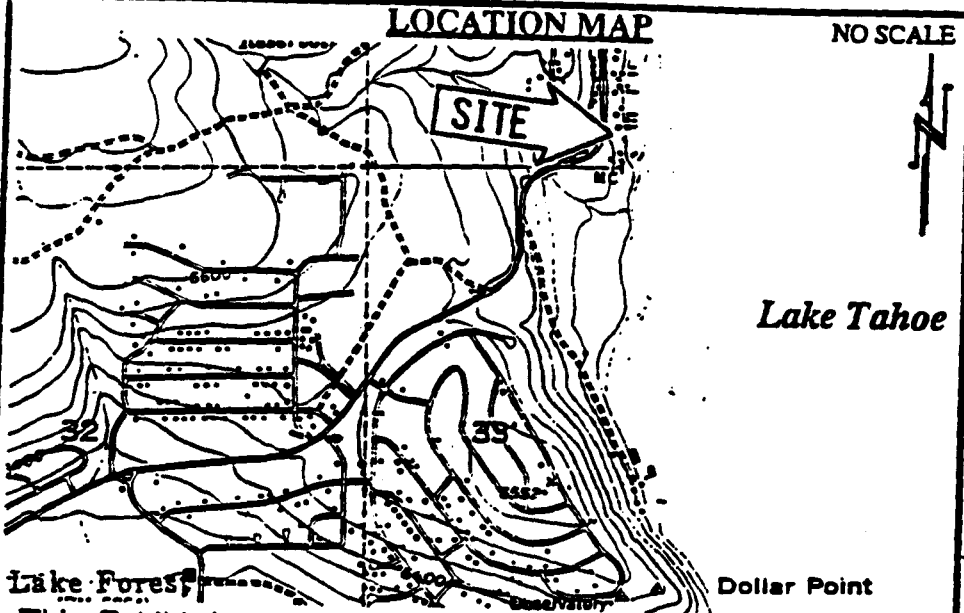
PROFILE

- 2x8 DECK
- 4x10 JOISTS @ 24" O.C.
- 6" HEM
- 10-3/4" Ø STEEL PILES @ 15' O.C.
- 4x6 FENDER PILES @ 5' O.C. ON PIERHEAD



3780 North Lake Blvd.

NO SCALE

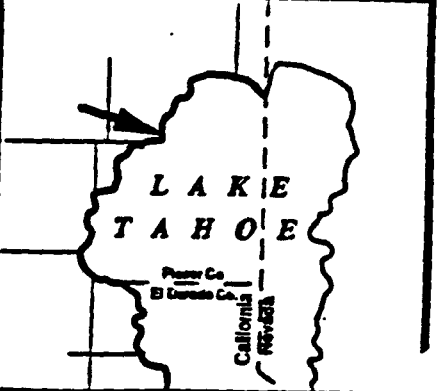


LOCATION MAP

NO SCALE

Lake Tahoe

EXHIBIT "A"
 WP 5751
 APN 092-110-028
 Lake Tahoe
 PLACER COUNTY



This Exhibit is solely for purposes of generally defining the lease premises, and is not intended to be, nor shall it be construed as, a waiver or limitation of any State interest in the subject or any other property.

CALENDAR PAGE	532
MINUTE PAGE	1446